

The JPZ mobile barrier is the ideal solution for your family home, cottage or garage. It can also be used in industrial buildings, where it protects against water penetration through passageways, industrial doors and other sensitive areas. She is easy to manipulate. It works without an electrical connection, and no tools are needed to activate the barrier.



012023.0242ANG

Other flood protection solutions offered:



MOBILE BARRIERE:  
INOVA AL



MOBILE LINIENBARRIERE  
OHNE UNTERBAU:  
FLOM



PASSIVBARRIERE



WASSERDICHTHE TÜREN:  
PPD



WASSERDICHTHE  
TORE



ANTI-KONTAMINATION  
-BARRIERE



MOBILE BARRIERE:  
JPZ



ATYPISCHE WASSERDICHTHE  
LÖSUNGEN



# JPZ

## FLOOD PROTECTION



**Maximum waterproofness.**

**Easy installation in windows, doors, gates and other openings.**

**It works without an electrical connection.**

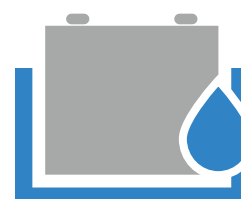
**Quick activation.**

**Undemanding storage.**

**Minimal maintenance requirements.**

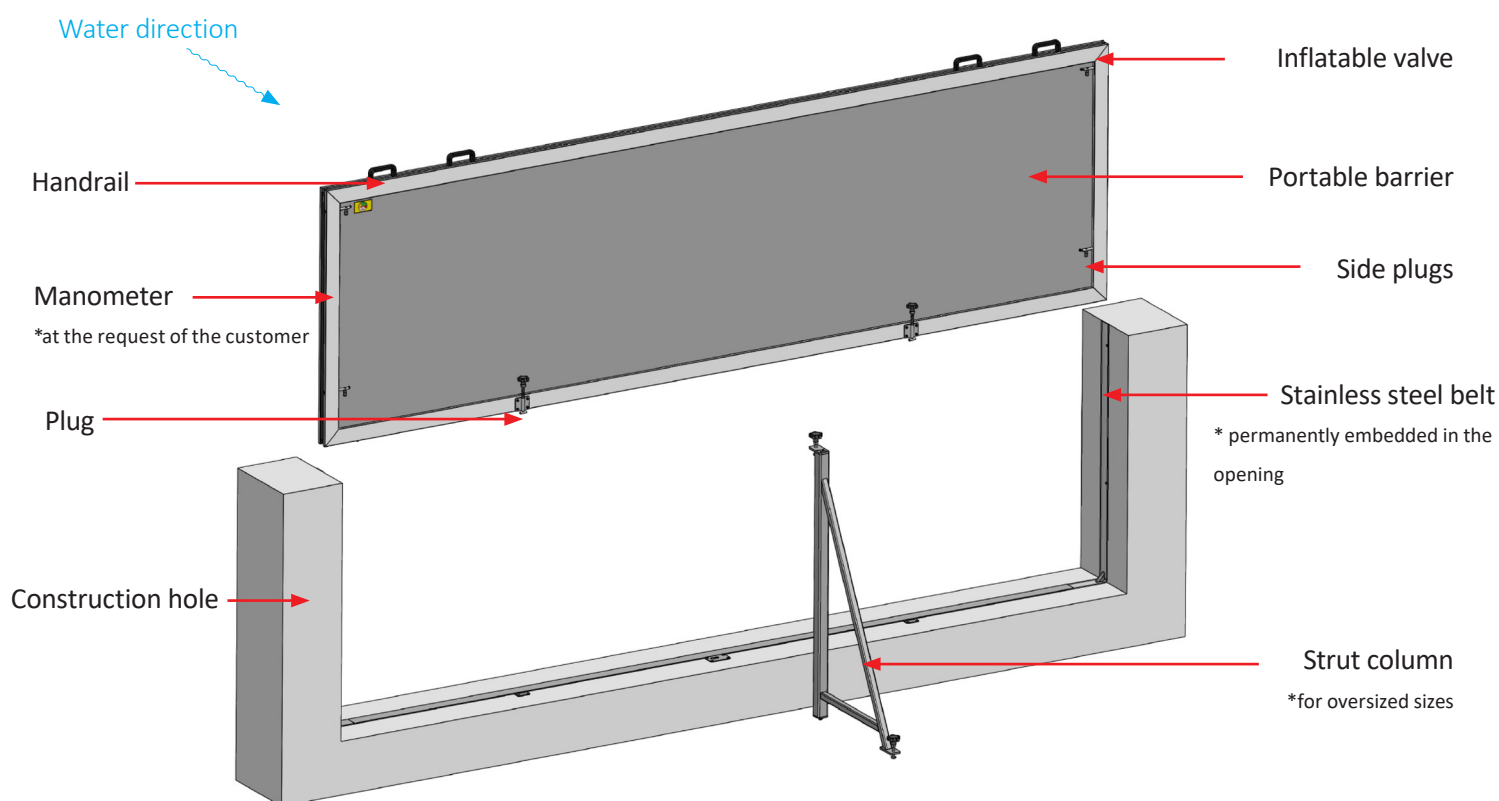
**No tools required to activate.**

**An elegant solution that does not disturb the appearance of the object.**



## PRODUCT DESCRIPTION

The JPZ barrier consists of two parts. One part consists of a stainless steel strip that is firmly embedded in the opening (windows, doors, gates...), and the other part is a freely removable portable barrier. This is manually inserted into the solidly built-in stainless steel band in the hole, locked and the EPDM seal is inflated using a manual inflator, compressor or CO2 cylinder, thereby sealing the hole.



## QUICK ACTIVATION

1. We insert a portable barrier.
2. We will provide.
3. We inflate.



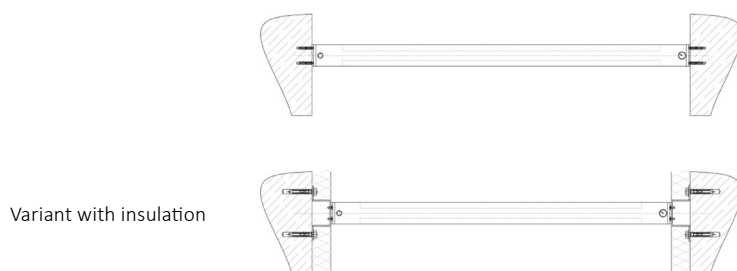
## NENÁROČNÉ SKLADOVÁNÍ

1. After the water has subsided, blow out the valve seal.
2. We repair the barrier.
3. Clean, dry and store in the deflated place.

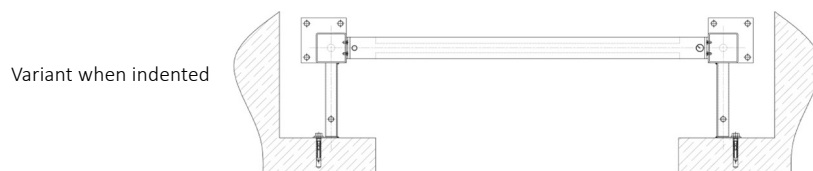


## INSTALLATION OPTIONS

Placement in hole:



Position in front/behind opening:



Hole diameter:	600- 5,000 mm, other dimensions on request
Opening height:	300- 1,200 mm, other dimensions on request
Seal:	EPDM
Material of main parts:	aluminum frame, stainless steel
Color:	RAL 9010 (white)- panel, natural aluminum- frame